



LONESTAR PRESTRESS MFG. INC.
 9316 Reid Lake Houston, TX 77064
 TEL. (713) 896-0994, FAX (713) 896-0411 www.lonestarprestress.com

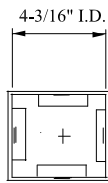
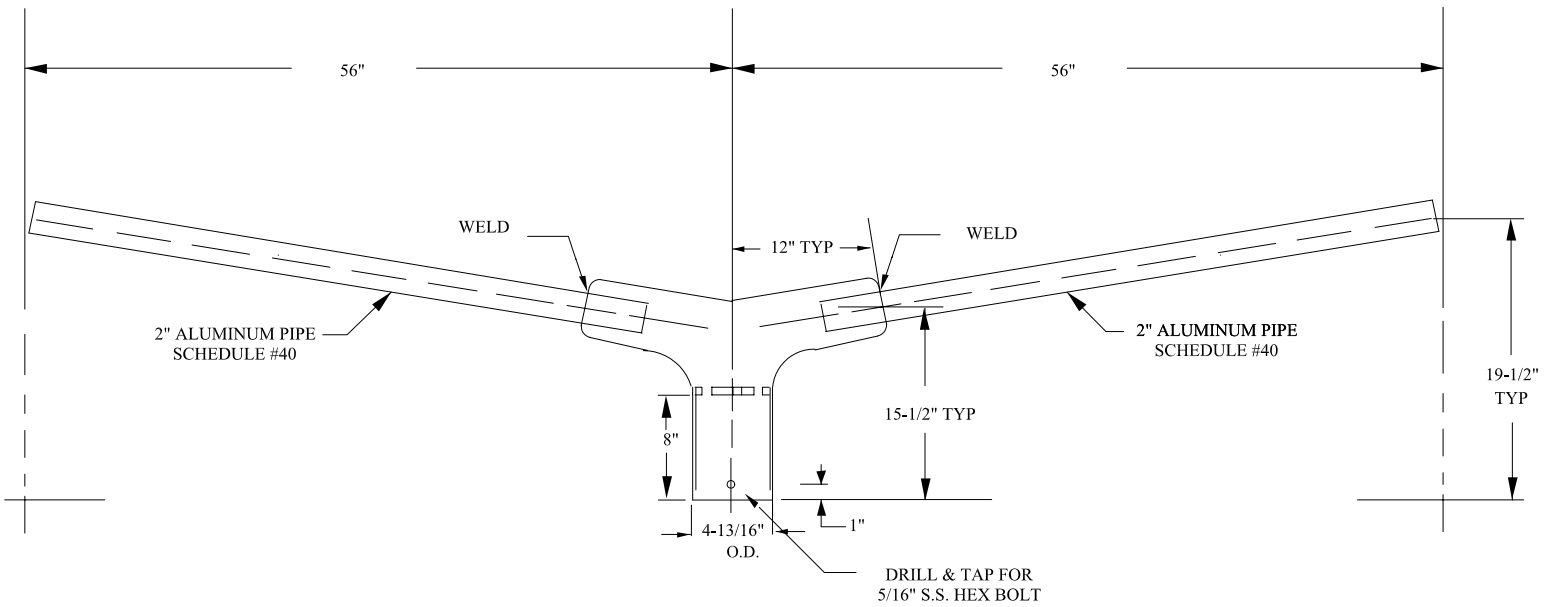
DWG.: CATALOG

CAT.: 967905

DATE:

PROJECT:

DAB-5 BRACKET ARM



5/16"x 7/16" HEX. HEAD BOLT OF STAINLESS STEEL
(4 REQUIRED)

TOP VIEW

STREET LIGHT BRACKET DETAIL

BRACKETS:

COMPLETE ASSEMBLY- THE BRACKETS SHALL BE OF A LENGTH TO MOUNT TO A LUMINAIRE APPROXIMATELY FIVE FEET FROM CENTER OF POLE AS PER DRAWING.

POLE TOP FITTING- THE POLE TOP FITTING SHALL BE CAST ALUMINUM. THE CASTING AND PARTS SHALL BE AS PER DRAWING. CASTING SHALL BE ALUMINUM ALLOY #356-T6 OR TENZOLOY.

SUPPORTS- THE LUMINAIRE SUPPORT SHALL BE MADE OF TWO INCH IPS ALUMINUM PIPE. ASA SCHEDULE 40.

DESCRIPTION:

**5' ALUMINUM
DOUBLE ARM BRACKET**

WEIGHT: 25 LBS

QTY:

FINISH: ALUMINUM