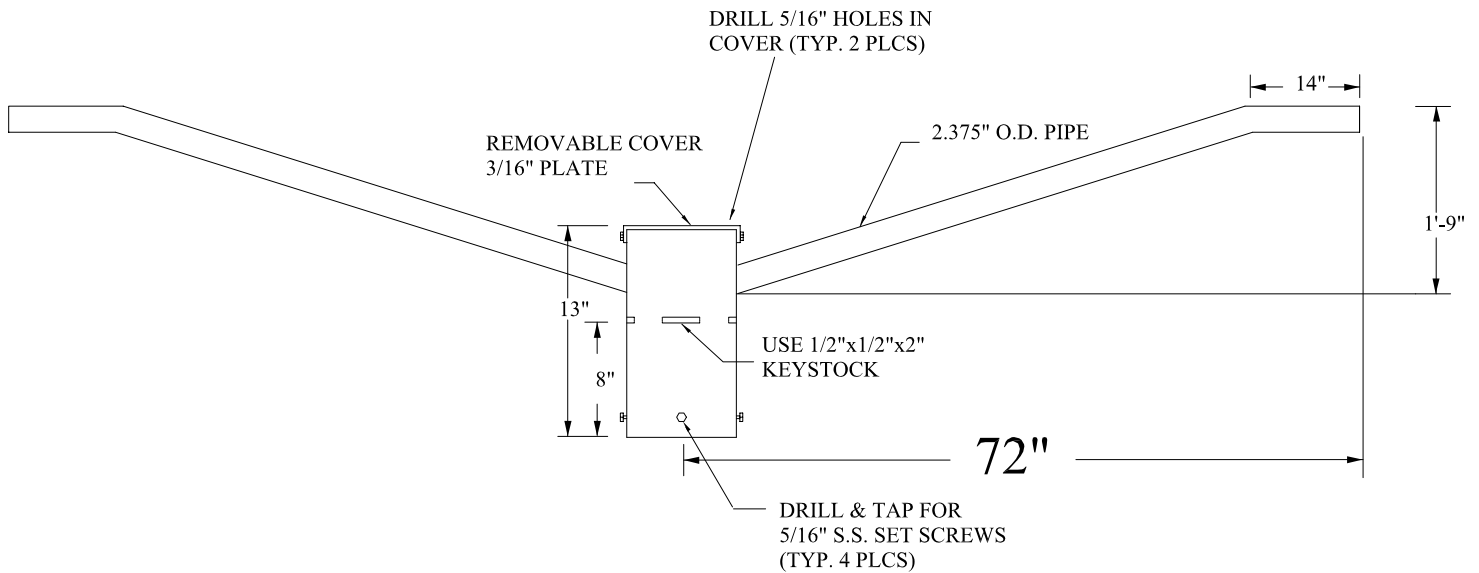


KEYWAY STOPS TO BE WELDED ON TOP SIDE ONLY. BOTTOM SIDE MUST BE SMOOTH SO CAP WILL SIT LEVEL ON POLE



NOTES

- 1.) ALL PARTS SHALL BE STEEL
- 2.) ALL TOLERANCES SHALL BE 1/16"
- 3.) MATERIAL TO BE 3/16" STEEL UNLESS OTHERWISE NOTED.
- 4.) INSTALL 1/4"x20x1/4" S.S. BOLTS IN COVER .
- 5.) STEEL BRACKET TO BE GALVANIZED AFTER FABRICATION

DESCRIPTION:

**TYPE I STEEL  
DOUBLE ARM BRACKET**

FINISH:

GALVANIZED STEEL

QTY: